

**3-BASKET KIT
8000 SERIES TRACTOR VAC**

NOTE

Read this manual carefully and learn to operate and service your grass catcher before using it.

To keep the warranty, the grass catcher must be maintained and operated as directed in this manual.

All references to "left-side", "right-side", "front", and "back" are given from the operator's position.

Use the serial number to ensure prompt and correct service when ordering parts, requesting service, or making inquiries.

SERIAL NUMBER _____



Look for this symbol to point out important safety precautions. It means -- ATTENTION! BECOME ALERT! YOUR SAFETY IS INVOLVED.

CONTENTS

1. INSTRUCTIONS FOR SAFE OPERATION
2. OPERATING INSTRUCTIONS
3. SERVICE INSTRUCTIONS
4. ILLUSTRATED PARTS AND PARTS LIST
5. INSTALLATION
6. WARRANTY

SECTION 1

Instructions for Safe Operation

Improper use of this grass vacuum can injure people and damage the equipment. People using or servicing this grass catcher must read and follow the instructions in this manual.

It is important to understand that this manual and any other Gravely instruction manuals do not cover every possible danger. It is impossible for Gravely to know of all possible dangers in operating and servicing the tractor and attachments.

The purchaser must give these instructions to the people operating and maintaining this grass catcher. These people must use eye and foot protection.

1.1 Preparation:

1. Read the tractor and the vac operator's manuals carefully.
2. Learn the location and function of all tractor and attachment controls.
3. Learn how to use the controls to stop the tractor and attachment.
4. Use caution with gasoline. Gasoline is very flammable. Keep it in a clean and tight container away from flames or hot items. Never put gasoline in the fuel tank while the engine is running or hot. Clean up spilled gasoline before starting engine.
5. Be certain that all shields, guards, and interlock switches are in the correct positions.
6. When hauling the tractor, connect the chassis and rear hitch to the transporting vehicle. Never connect from control levers, rods, or like items that could be damaged.
7. Operate the equipment only when discharge chute is in place or the complete grass catcher with collector boot and tube is in place.
8. As the vac basket fills with material, weight is removed from the front wheels. Limit the amount collected or add front weight to prevent loss of steering control.

1.2 Operation:

1. Wear foot and eye protection. Do not wear loose clothing.
2. Do not use the equipment in the dark without adequate lighting.
3. Keep the grass catcher in good condition. Maintain it as directed in this manual.
4. Replace all parts that become damaged or lost.
5. USE ONLY GRAVELY ACCESSORIES AND ATTACHMENT OR ATTACHMENTS GRAVELY HAS APPROVED FOR USE WITH THIS TRACTOR.
6. Do not overspeed the engine. Do not override the governor.
7. Keep away from moving parts.
8. Keep people and animals away from the operating area.
9. Do not let people other than the operator ride on the tractor.
10. Use a slow speed and engage the direction control lever slowly when operating on slopes.
11. Look for and keep away from hazards.
12. Shut engine off, move the PTO Control to "OFF", and remove ignition key before unclogging chute or removing grass catcher.
13. Look behind when operating in reverse.
14. After hitting an object with the equipment, stop the engine and check for damage. Repair any damage before continuing operation.
15. Operate the tractor only from the seat.
16. Travel up and down, not across slopes.
17. Never permit children to operate the tractor.
18. Before leaving the tractor, move the PTO Control to "OFF", lower mower, lock the brake, and remove the ignition key.

19. If there is a sudden change in the sound or vibration of the equipment, stop the engine and check for damage. Repair any damage or failure before continuing operation.
20. Never run the engine indoors except to move it outside. Exhaust fumes are dangerous.
21. Go slow on slick surfaces.
22. Follow traffic laws when operating on or near a road.
23. Before making adjustments or servicing, move the PTO to "OFF", turn the ignition switch to "OFF", and wait until all moving parts completely stop.
24. Check the mounting hardware for the blade and vanes frequently.
25. Keep the PTO control in the "OFF" position when transporting.

SECTION 2

Operating Instructions

2.1 General:

1. When starting to cut grass with the vac in place, start at a slower than normal ground speed but with throttle set for high engine speed. Use the Gear Selector Lever to control speed. Select the gear for the best cutting and vac action. The heavier and wetter the grass, the slower the ground speed.
2. With lush, extra heavy or wet grass, it may be necessary to make two passes. First cut at maximum cutting height from ground surface, then recut at the lower setting. When the liners are full, they may be tied up while in the basket, then lifted from the baskets for disposal. It may be easier to remove the liners from the baskets by laying the basket on its side and removing the liner.
3. If the hose plugs, momentarily stop ground travel and allow it to clear. IF THE HOSE DOES NOT CLEAR, PUT THE PTO IN THE "OFF" POSITION AND STOP THE TRACTOR ENGINE BEFORE ATTEMPTING TO CLEAR THE HOSE.
4. Successful operation results from the thoughtful management of several variables:
 - a. Catcher will work best in dry grass. Between 10 a.m. and 6 p.m. would be an ideal time, after dampness has left in the morning but before evening dew.
 - b. Use fast throttle setting on the tractor at all times, since this gives better air flow in the basket or cart.
 - c. Try different travel speeds. Generally, third to fifth speeds are best.

2.2 CAUTION:

1. Be sure the boot, hoses, and blower drive are properly assembled and secured prior to operating the vac and mower.
2. Always move the PTO to "OFF", turn the ignition switch to "OFF" and wait until all parts have stopped moving before unplugging the hoses.

SECTION 3

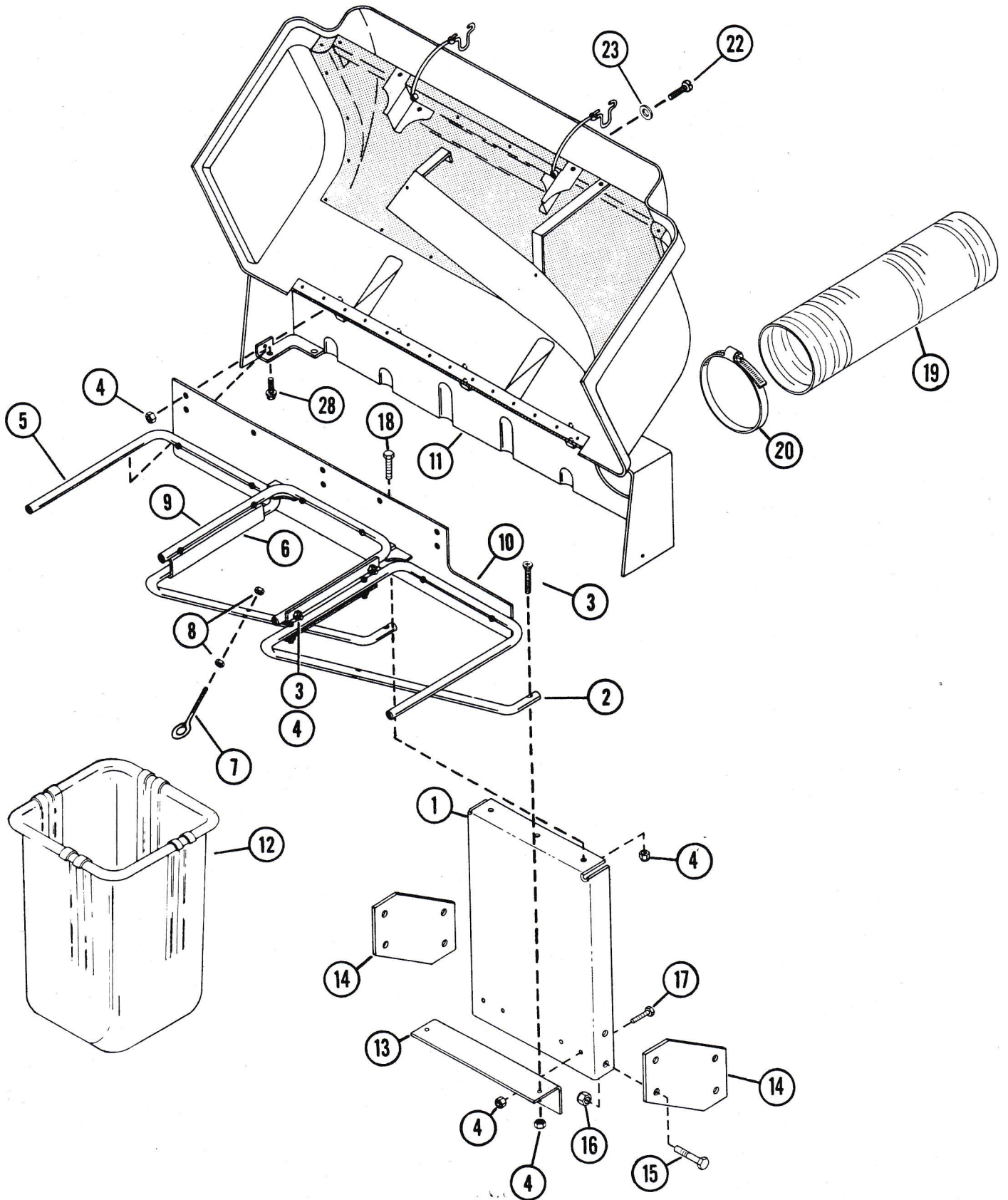
Service Instructions

3.1 When the Vac Stops Collecting, Check the Following:

1. Wrong blade on mower--be sure the mower has a sharp Gravelly blade on it.
2. Low tip speed on blade--check engine RPM and increase to a maximum of 3300 RPM, decrease ground speed.
3. High ground speed on tractor--shift to lower gear.
4. Grass conditions--grass must be dry.

SECTION 4

Illustrated Parts and Parts List



ITEM NO.	PART NO.	QTY.	DESCRIPTION
1	38529	1	Support
2	38321	1	Right Tube
3	35809	16	Screw, Machine 5/16-18x1.50
4	419455	29	Nut, Lock 5/16-18
5	38322	1	Left Tube
6	38323	2	Tube Bracket
7	38324	2	Eyebolt
8	424215	4	Nut, Lock 1/4-20
9	38325	1	Center Tube
10	38534	1	Mounting Bracket
11	38535	1	Cover Assembly
12	38328	3	Grass Bagger Basket
13	38530	1	Bracket
14	38531	2	Riser
15	180175	8	Bolt, Hex 1/2-13x1.25
16	435507	8	Nut, Lock 1/2-13
17	180077	2	Bolt, Hex 5/16-18x.75
18	180079	3	Bolt, Hex 5/16-18x1.00
19	38533	1	Hose
20	38532	2	Hose Clamp
21	180073	4	Bolt, Hex 5/16-18x.50
22	38334	8	Screw, Machine 5/16-18x.75 T/Hd
23	38335	8	Washer, .339/.359x1.125x.063 Pl

SECTION 5

Installation Instructions

- 5.1 Install the vac on the tractor.
- 5.2 Attach the bracket to the support with two 5/16-18x1 bolts and two lock nuts. See the illustration.
- 5.3 Attach the two risers to the outside of the support with two 1/2-13x1.25 bolts and two lock nuts. Do not tighten the bolts. See Figure 1 for correct position of the risers.
- 5.4 Slide the risers into position on the drive frame and secure with two 1/2-13x1 bolts and two lock nuts on each side. Tighten the bolts holding the support.
- 5.5 Set the tube assembly on the support and secure to the mounting bracket with three 3/8-18x1 bolts and 3 lock nuts.
- 5.6 Secure the two tubes to the bracket with 5/16-18x1-1/2 machine screws and lock nuts.
- 5.7 Install the cover assembly using eight machine screws, washers, and lock nuts.
- 5.8 Slide the baskets in place on the tube frame.
- 5.9 Close the cover and secure in place with hooks on eyebolts.
- 5.10 Slip a worm clamp over each end of the tube. Put one end of the tube on the blower outlet and the other end of the cover inlet. Tighten the clamps.

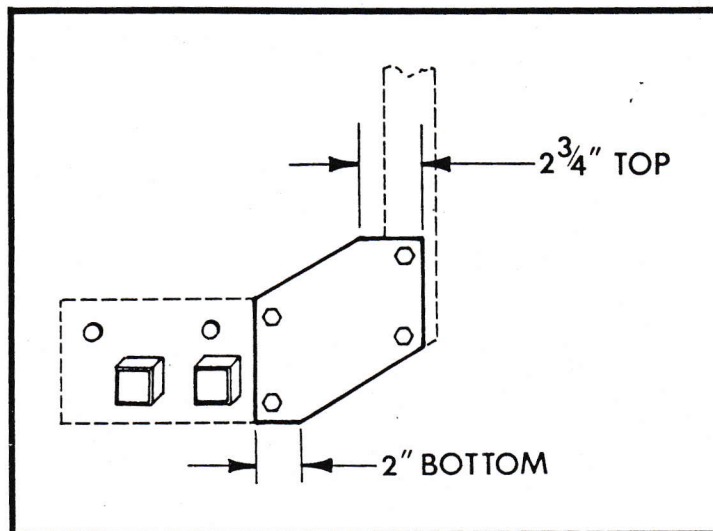


FIGURE 1

84014

SECTION 6

GRAVELY LIMITED WARRANTY

This Limited Warranty is issued by Gravely International, Inc., and consists of the following terms:

1. Only the original purchaser of new Gravely equipment is covered by this Warranty.
2. This Warranty covers repair or replacement of parts manufactured by Gravely which are defective in material or workmanship. Gravely will pay for parts and labor only.
3. The Warranty starts the date of purchase and lasts for TWELVE (12) MONTHS.
4. Some components of Gravely equipment are not covered by the Gravely Warranty. These components are covered by the original manufacturer's warranty, which is included with the product. They are:
 - a. Engines
 - b. Tires
5. To obtain warranty service on Gravely equipment including components not manufactured by Gravely, use this procedure:
 - a. Notify the Gravely dealer from whom you purchased the equipment.
 - b. If you have moved and it is not convenient to notify the selling dealer, notify the nearest Gravely dealer. You should supply this dealer with a copy of the bill of sale as proof of the date of purchase.
 - c. Make arrangements to have the equipment delivered to the dealer (refer to paragraph 6(a) below).
 - d. If you have any questions concerning the Gravely Limited Warranty, they should be referred to:

Gravely International, Inc.
One Gravely Lane
Clemmons, NC 27012

Attn: Manager of Customer Services
 - e. Warranty service on Gravely equipment must be performed by an authorized Gravely dealer or Gravely factory branch.
6. This Warranty does not cover the following:
 - a. Transportation between owner's home or place of business and the dealership. If the dealer provides the transportation of the equipment, he will charge the owner his usual rate for such service.
 - b. Normal maintenance services and normal replacement of items such as spark plugs, belts, oil, oil filters, air filters, and mower, plow or cultivator blades.
 - c. Alterations or Modifications - All obligations under this warranty shall be terminated if the equipment is altered or modified in any way.
 - d. Customer Neglect or Lack of Proper Maintenance - The purchaser is responsible for making sure that the tractor is operated and serviced as directed in the operator's manual. Incorrect use or maintenance will void the warranty.
7. GRAVELY MAKES NO OTHER EXPRESS WARRANTIES. ANY IMPLIED WARRANTIES, INCLUDING WARRANTIES AS TO MERCHANTABILITY OR FITNESS FOR A PARTICULAR PURPOSE, ARE LIMITED IN DURATION TO THE PERIOD SET OUT IN PARAGRAPH 3 ABOVE. SOME STATES DO NOT ALLOW LIMITATIONS ON HOW LONG AN IMPLIED WARRANTY LASTS, SO THE ABOVE STATEMENT MAY NOT APPLY TO YOU.
8. GRAVELY SHALL HAVE NO RESPONSIBILITY FOR INCIDENTAL OR CONSEQUENTIAL DAMAGES RESULTING FROM THE BREACH OF ANY WARRANTY, INCLUDING, BUT NOT LIMITED TO, INCONVENIENCE, RENTAL OR PURCHASE OF REPLACEMENT EQUIPMENT, LOSS OF PROFITS OR COMMERCIAL LOSS. SOME STATES DO NOT ALLOW THE EXCLUSION OR LIMITATION OF INCIDENTAL OR CONSEQUENTIAL DAMAGES, SO THE ABOVE LIMITATION OR EXCLUSION MAY NOT APPLY TO YOU.
9. This Warranty gives you specific legal rights, and you may have other rights which vary from state to state.
10. A Gravely product registration card is supplied with each Gravely product. Please complete the card and return it to Gravely at the address listed on the card. The equipment registration card will be used by Gravely for:
 - a. Recording date of purchase.
 - b. Notification of owners in compliance with the Consumer Product Safety Act, should any notification be necessary.The return of registration card is not required in order to take advantages of this Warranty.
11. This Warranty is not subject to change or modification by anyone, including Gravely dealers and no Gravely dealer is authorized to make any representations or promises on Gravely's behalf.

